



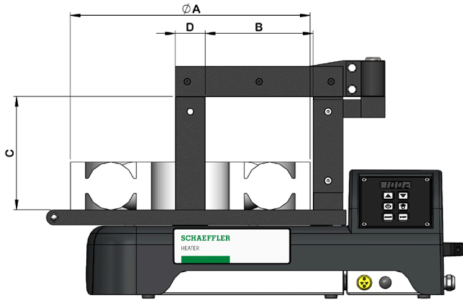
HEATER50-SMART-230V

Heating device, inductive

Schaeffler ID:
0966641260000

HEATER smart

Technical information



Technical data

U	230 V	Operating voltage
f	50 - 60 Hz	Frequency
P	3 kVA	Power consumption
I	13 A	Current rating
$\vartheta_{h \max}$	240 °C	Max. heating temperature
	0 - 99 min	Heating time
	Touch	Display
	2	Magnetic probe, quantity
$\approx m$	24.6 kg	Weight

Functions

+	Temperature hold
+	Automatic demagnetization, <math><2A/cm</math>
—	Swivel arm
+	Log function
+	Delta-T control
+	Temperature control
+	Time control
+	Temperature and time control
+	Temperature and speed control
+	Overheating protection
only in temp. and speed mode	Automatic power reduction
+	Device supports horizontal / lying heating of the workpiece
+	Device supports vertical / hanging heating of the workpiece

Dimensions

	600 mm	Length HEATER
	226 mm	Width HEATER
	274 mm	Height HEATER
B	120 mm	Space between poles
C	130 mm	Pole length
D	40x50	Pole cross section (mm ²)

Workpiece to be heated

	10 mm	Min. inner diameter workpiece, vertical heating: with included yoke
	65 mm	Min. inner diameter workpiece, horizontal heating
$\varnothing A_{\max}$	400 mm	Max. outer diameter workpiece
	115 mm	Max. workpiece width, vertical heating
	125 mm	Max. workpiece width, horizontal heating
$m_{b \max}$	50 kg	Max. workpiece weight

Additional information

	3	Yokes included, quantity
	7x7, 14x14, 40x50	Yokes included, cross section (mm ²)